

# Modulostar<sup>®</sup> CMS10

Modular fuse-holders

## FUSE HOLDERS, FUSE BASES AND SUPPORTS

### IEC CYLINDRICAL FUSE HOLDERS



The innovative and comprehensive Modulostar<sup>®</sup> range of Mersen fuse-holders. Modular fuse-holders are finger-safe under IEC standards to an IP20 grade of protection, including fuse changing (with the flick of a finger). Modular fuse-holders are available in 1, 2, 3 or 4 poles, with or without visual blown fuse indicator, in IEC version or IEC + UL version. Multi-pole units can also be field assembled by ordering pin-ties assembly kit. Modulostar<sup>®</sup> range is made of tough and durable thermoplastic or thermoset material.

### TECHNICAL DATA OVERVIEW

Voltage AC	690 VAC
Voltage DC	690 VDC
Amper (A)	32 A
SCCR	200kA
Mounting	Installation on to DIN rails to EN 60715
Product Size	For cylindrical fuse links 10.3x38.1 aM, gG and 10.3x38 Mersen Protistor <sup>®</sup> and HP6M fuse-links
Number of Poles	1 to 4 poles

### FEATURES & BENEFITS

- Finger safe
- Degree of protection: IP20
- Optional visual blown fuse indicator
- DIN rail mounting
- Modular design
- Lockable
- Multi-pole assembly kit available
- Sealable in closed and open position
- Plastic material UL94V2 mini
- Flame retardant materials with glow wire flammability index to 960°C
- Shock and vibration tested for marine and railway applications

### APPLICATIONS

- All circuits up to 690V for protection of motors, transformers, low voltage distribution, control circuits, drive protection
- Non-load operation

### STANDARDS

- IEC 60269-2 and IEC 60947-3 Compliance
- RoHS Compliant
- Plastic material: NF 16101 & 16102 Requirement 2 Compliant



MERSEN reserves the right to change, update or correct, without notice, any information contained in this datasheet.



Shah & Shah Enterprise

www.shahent.co.in

## PRODUCT RANGE



CMS101



CMS102



CMS103



CMS103N



CMS101I

### Modulostar® fuse-holders for 10.3x38.1 fuse-links, without indicator

Catalog number	Reference number	Number of poles/ phases	Design	Weight	Package
CMS810N	D305006	N	CMS10 neutral conductor	65.8 g	12
CMS101	T305020	1	CMS10 single pole	61.3 g	12
CMS101N	V305021	1 + N	CMS10 single pole + neutral conductor	0.1316 kg	6
CMS102	W305022	2	CMS10 double pole	0.1216 kg	6
CMS103	X305023	3	CMS10 triple pole	0.1975 kg	4
CMS103N	Y305024	3 + N	CMS10 triple pole + neutral conductor	0.2633 kg	3
CMS104	Z305025	4	CMS10 quadruple pole	0.2433 kg	3

### Modulostar® fuse-holders for 10.3x38.1 fuse-links, with indicator

Catalog number	Reference number	Number of poles/ phases	Design	Weight	Package
CMS101I	A305026	1	CMS10 single pole	60.8 g	12
CMS101NI	B305027	1 + N	CMS10 single pole + neutral conductor	0.1316 kg	6
CMS102I	C305028	2	CMS10 double pole	0.1216 kg	6
CMS103I	D305029	3	CMS10 triple pole	0.1825 kg	4
CMS103NI	E305030	3 + N	CMS10 triple pole + neutral conductor	0.2633 kg	3
CMS104I	F305031	4	CMS10 quadruple pole	0.2433 kg	3

## TECHNICAL DATA

	CMS10	CMS10I
Size	10x38	10x38
Number of poles/phases	1, 1+N, 2, 3, 3+N, 4	1, 1+N, 2, 3, 3+N, 4
Conventional free air thermal current with fuse links I <sub>th</sub>	32 A	32 A
Power dissipation at I <sub>th</sub>	3 W	3 W
Utilisation category	AC20B/DC20B	AC20B/DC20B
Rated insulation voltage U <sub>i</sub>	690 V	690 V
SCCR	200 kA	200 kA
Rated impulse withstand voltage U <sub>imp</sub>	6 kV	6 kV
Degree of protection	IP 20	IP 20
Voltage limit for blown fuse indicator	-	230 to 690V AC/DC
Indication System	-	with indicator
Connection	Max. tightening torque: 2.2Nm (19lbs.-in) Rigid wire = 1-16mm <sup>2</sup> (16-6AWG) Multistrand wire = 0.75-10mm <sup>2</sup> (18-8AWG) PZ2 or flat 5.5x1mm screw drivers recommended (max. diameter 6mm)	Max. tightening torque: 2.2Nm (19lbs.-in) Rigid wire = 1-16mm <sup>2</sup> (16-6AWG) Multistrand wire = 0.75-10mm <sup>2</sup> (18-8AWG) PZ2 or flat 5.5x1mm screw drivers recommended (max. diameter 6mm)
Operating temperature	-25°C to 60°C	-25°C to 60°C
Storage temperature	-25°C to 80°C	-25°C to 80°C
Vibration	Withstand on the 3 main axis*: Sinusoidal vibration testing according to IEC 60068-2-6 2 to 13Hz x= 1 mm peak 13 to 100Hz y= 0.7g peak according to french marine application Random vibration testing according to IEC 61373 Category 1 Class B	Withstand on the 3 main axis*: Sinusoidal vibration testing according to IEC 60068-2-6 2 to 13Hz x= 1 mm peak 13 to 100Hz y= 0.7g peak according to french marine application Random vibration testing according to IEC 61373 Category 1 Class B
Shock	Shock testing according to IEC 61373 Category 1 Class B Shock testing according to IEC 60068-2-27 15g/11ms/18 shocks	Shock testing according to IEC 61373 Category 1 Class B Shock testing according to IEC 60068-2-27 15g/11ms/18 shocks
	* for specific usage please contact us	* for specific usage please contact us

## SPECIFIC USAGE CONDITIONS

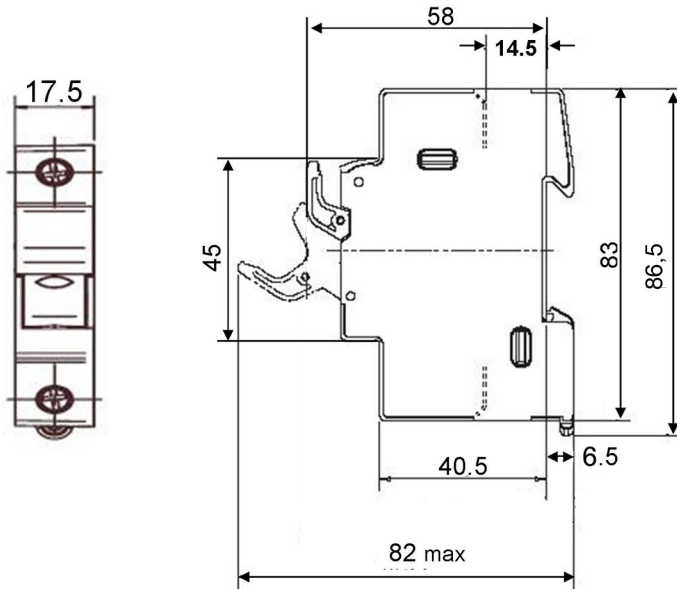
Ambient temperature	>20°C	30°C	40°C	50°C	60°C
Derating factor (I <sub>e</sub> )	1	0.95	0.9	0.8	0.7

No of poles (side by side)	1 to 3	>= 4
Derating factor of current (I <sub>th</sub> )	1	0.9

Nominal current of fuse-link gR	20 A	25 A	30 A	32 A
Max. operational current in fuse-holder	19 A	22 A	25 A	27 A
Cable wire section	2.5 mm <sup>2</sup>	4 mm <sup>2</sup>	6 mm <sup>2</sup>	6 mm <sup>2</sup>

## DIMENSIONS

Modulostar® CMS10 fuse-holders for cylindrical fuse-links class 10x38mm



Dimensions in mm

## ACCESSORIES



CMS8010PAK + fuse-holder

### Kit for multi phase connection

Catalog number	Reference number	Description	Weight	Package
CMS810PAK	Z233725	Links for connection of multipole units	0.5 g	12



TAGLOCKCMS810

LOCK

### Locking devices

Catalog number	Reference number	Description	Weight	Package
TAGLOCKCMS810	A235773	Locking kit (Tag and lockout)	9 g	1
LOCK	M223525	Padlock	0.475 kg	1

## ACCESSORIES



TBB1A



TBB1C



TBB23A

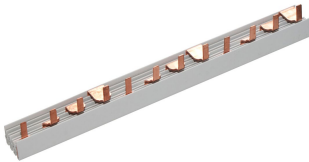


TBB23C

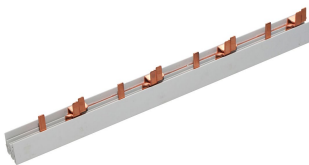
### Power supply

Catalog number	Reference number	Description	Application	Weight	Package
TBB1A	D210315	1 phase axial incoming power supply	Max. rms current 90A	10.1 g	50
TBB1C	E210316	1 phase lateral incoming power supply	Max. rms current 90A	10 g	50
TBB23A	F210317	2 & 3 phases axial incoming power supply	Max. rms current 90A	23.3 g	50
TBB23C	G210318	2 & 3 phases lateral incoming power supply	Max. rms current 90A	23.1 g	50

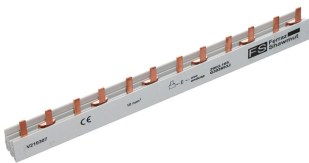
### Wiring bars / Insulated bus bars



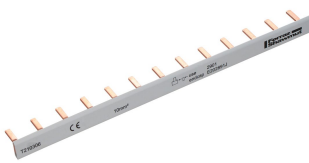
CMS810BB4F3



CMS810BB3F4



CMS810BB2F6



CMS810BB1F13

Catalog number	Reference number	Description	Application	Weight	Package
CMS810BB4F3	X210309	quadruple pole, 10 mm <sup>2</sup> , partition 17,5 mm (distance of poles), peg design, L-shaped	Max. rms current 100A, for installation of 3 modules	120 g	10
CMS810BB3F4	W210308	triple pole, 10 mm <sup>2</sup> , partition 17,5 mm (distance of poles), peg design, L-shaped	Max. rms current 100A, for installation of 4 modules	84 g	10
CMS810BB2F6	V210307	double pole, 10 mm <sup>2</sup> , partition 17,5 mm (distance of poles), peg design, L-shaped	Max. rms current 63A, for installation of 6 modules	80 g	10
CMS810BB1F13	T210306	single pole, 10 mm <sup>2</sup> , partition 17,5 mm (distance of poles), peg design, L-shaped	Max. rms current 63A, for installation of 13 modules	33.5 g	10